

PRODUCT DATASHEET

Micropump

OVERVIEW

Line shaft horizontal centrifuge pump; Micropump is used for:

- Sea water, saline water
- %100 Acids, Bases
- Chemical liquid transfers
- Chemical liquid circulations

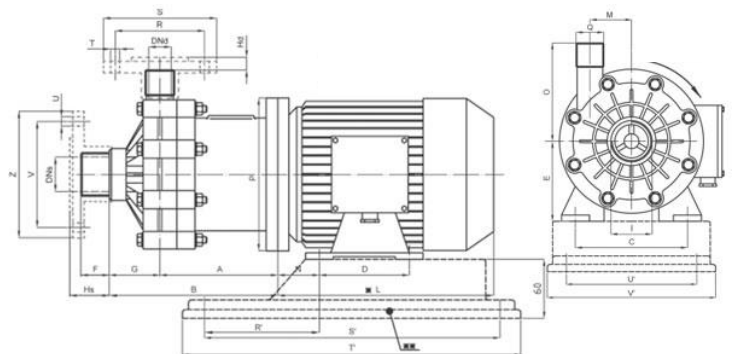
All types of corrosive liquids

<i>Parameter</i>	<i>Unit</i>	<i>Range</i>
Flowrate	m ³ /h	9 - 100
mWc	m	15 - 100
Connection Diameter	DN	32 - 100
Suction Diameter	DN	20-150
Pumping Diameter	DN	20-125
Speed of Engine	rpm	1450-2950
Power	kW	0.37 - 5
Impeller Type	Open & Closed	
Physical Formation	Monobloc	
Casing	Spiral	
Casing Material	PP	
Pump Shaft	Connected to Bearing Shaft	
Working Temperature	-10°C / +120°C	



* Micropump is manufactured specially, regarding to the customer requirements

ADDITIONAL FLOWRATES AND CUSTOMISED SOLUTIONS ARE AVAILABLE. JUST ASK US.



PRODUCT DATASHEET

Micropump(MPR – MPV)

Stainless steel vertical multistage MPS and MPV pumps are used for:

- Transferring liquids of low viscosity, non inflammable and non-explosive, not containing solid particles or fibers
- Water supply & drainage for high-rise buildings, Filtration and transfer at waterworks, pressure boosting in main pipe
- Washing and cleaning systems, boiler feeding, cooling water circulation, water treatment systems, auxiliary system
- Ultrafiltration systems, reverse-osmosis systems, distillation systems, separators, swimming pools
- Agricultural irrigation

<i>Parameter</i>	<i>Unit</i>	<i>Range</i>
Flowrate	m ³ /h	0,7 - 240
Max. Pressure	bar	16-22
Connection Diameter	DN	32 - 100
Pumping Diameter	DN	25-150
Pump Efficiency	%	45-79
Power	kW	0.37 - 5
Casing Material -MPV	Stainless Steel	
Casing Material -MPR	Cast iron base & pump cover	
Pump Shaft	Connected to Bearing Shaft	
Working Temperature	-20°C / +120°C	



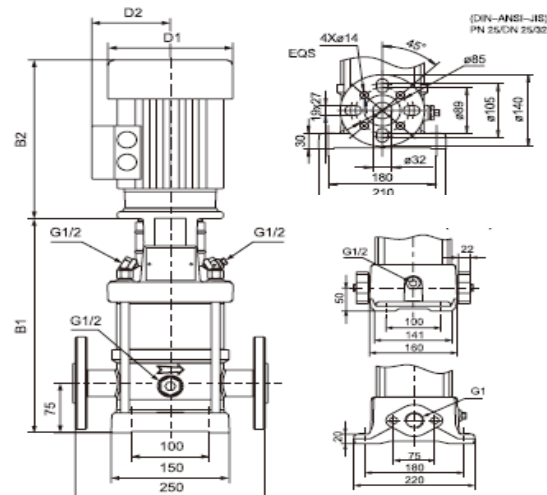
MPV



MPR

* Micropump is manufactured specially, regarding to the customer Requirements

ADDITIONAL FLOWRATES AND CUSTOMISED SOLUTIONS ARE AVAILABLE. JUST ASK US.



PRODUCT DATASHEET

Micropump – Dosing Pump

Applications:

- Potable water treatment: Metering of disinfectants
- Cooling circuits: Metering of corrosion inhibitors and biocides
- Waste water treatment: Metering of flocculants
- Paper industry: Metering of additives
- Plastics production: Metering of additives



Micro-Dosing Pump

Model	50/60 Hz				Diaphragm Dia. (mm)	Power	Connection Size
	Flow(L/h)	Pressure(Bar)	Flow(GPH)	Pressure(psi)			
MDP0110	1	10	0.3	145	120	34	5*8mm
MDP0408	3.8	7.6	1	110	180	41	
MDP0505	5	5	1.3	73			
MDP0804	7.6	3.5	2	51			
MDP1002	10	2	2.6	29			
MDP1202	12	1.5	3.2	22			
MDP1501	15	1	4	15		52	

Materials:

- Pump Head: PVC, PVDF, SS304, SS316
- Diaphragm: Composite PTFE diaphragm
- Check Valve Body: PVC, PVDF, SS304, SS316 (same as pump head selection)
- Valve Ball: Ceramic, SS304
- Valve Seat: PTFE, SS316
- Suction and Discharge Tubing: PE

ADDITIONAL FLOWRATES AND CUSTOMISED SOLUTIONS ARE AVAILABLE. JUST ASK US.



*Micro-Dosing Pump/Pump Head
Materials*